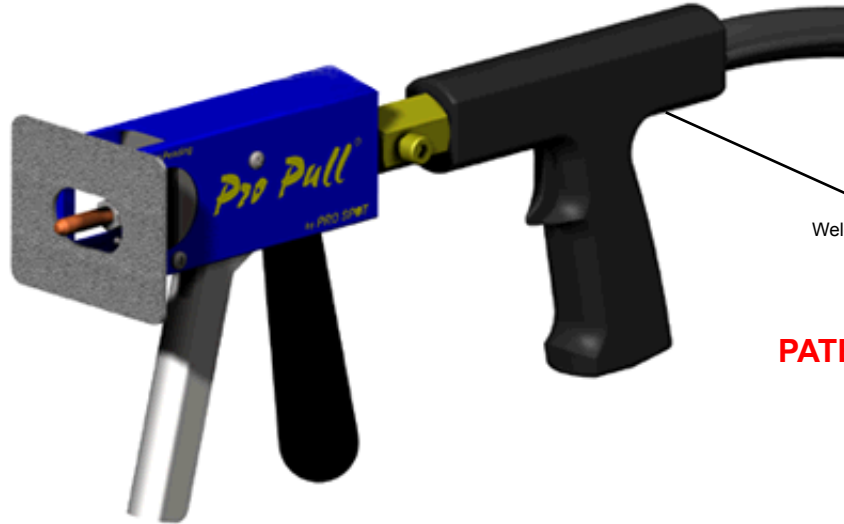


# Pro Pull<sup>®</sup>

NEW INNOVATIVE TOOL FOR FAST AND ACCURATE DENT PULLING

Pro Pull can be hooked up to most resistance spot welders or dent pullers.  
 Welder & Adapters not included.



Welding gun not included


**PATENTED**

- ✓ NO WELD CABLE REQUIRED BETWEEN TOOL AND WELD HANDLE
- ✓ MAKES DENT REPAIR QUICK, EASY AND ACCURATE
- ✓ FAST CHANGING BLOCKING PLATE SYSTEM
- ✓ ADJUSTABLE WELD SHAFT
- ✓ AVAILABLE FOR ANY WELD GUN




Pro Pull comes with 3 different Blocking plates with Quick Connect design.


Block window size:  
2.5" (63mm) x 1.5" (38mm)  
**PP-10-04**




Block window size:  
0.75" (19mm) dia.  
**PP-10-01**



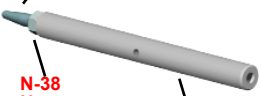
Block window size:  
1.75" (44mm) x 1" (25mm)  
**PP-10-03**



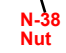
Large openings for great visual control of the pulling area.



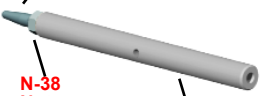
**CLT-53-8**  
8mm Contact Tip



**N-38**  
Nut



**CLP-74**



Removable weld shaft.  
The weld current is transferred through the shaft and NO CABLE is required to transfer the current

**Aim, position & fire!**

1. 

---

2. **Pull dent with Auto blocking**  


---

3. **Twist gun to release... Next...**  


Distributed by:

Manufactured by Pro Spot International, Inc. U.S.A.